



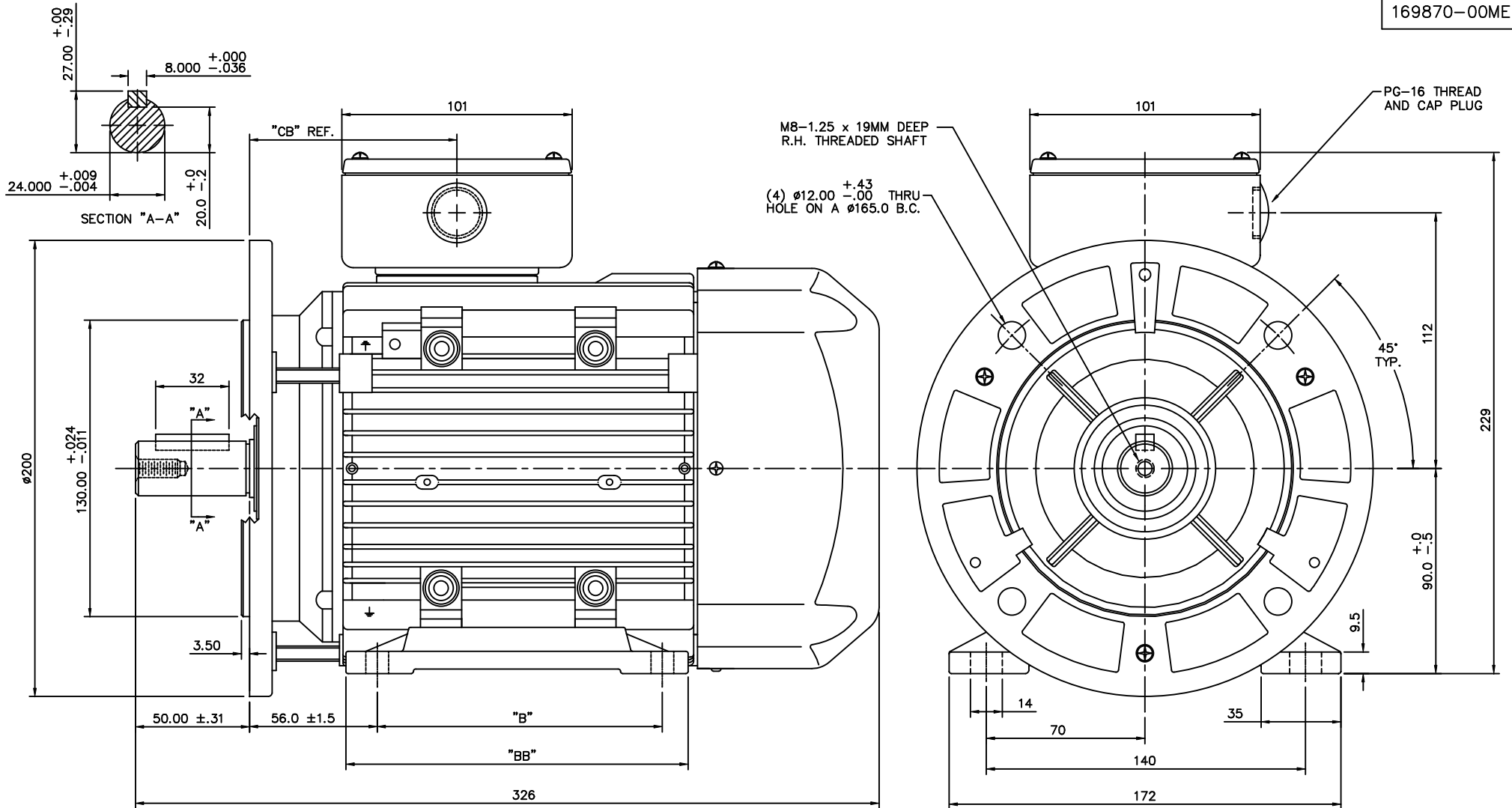
Nameplate Specifications

Output HP	2 Hp	Output KW	1.5 kW
Frequency	60 Hz	Voltage	230/460 V
Current	5.4/2.7 A	Speed	1745 rpm
Service Factor	1.15	Phase	3
Efficiency	87.5 %	Power Factor	78.4
Duty	Continuous	Insulation Class	F
Design Code	B	KVA Code	J
Frame	90L	Enclosure	Totally Enclosed Fan Cooled
Thermal Protection	No	Ambient Temperature	40 °C
Drive End Bearing Size	6205	Opp Drive End Bearing Size	6205
UL	Recognized	CSA	Y
CE	Y	IP Code	55

Technical Specifications

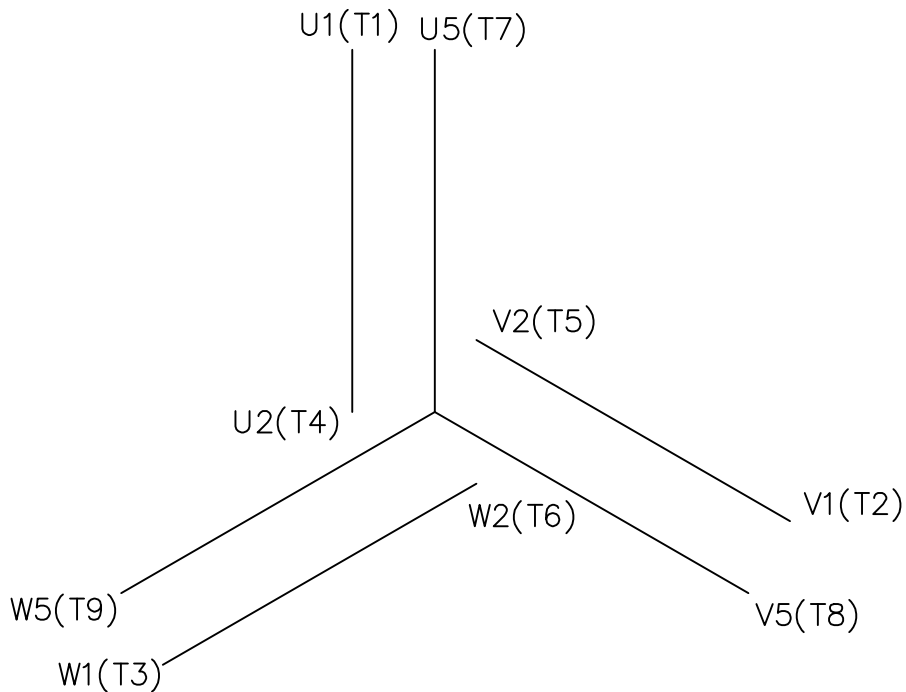
Electrical Type	Squirrel Cage Inverter Rated	Starting Method	Line Or Inverter
Poles	4	Rotation	Reversible
Resistance Main	0 Ohms	Mounting	Rigid Base
Motor Orientation	Horizontal	Drive End Bearing	Ball
Opp Drive End Bearing	Ball	Frame Material	Aluminum
Shaft Type	IEC	Overall Length	12.83 in
Frame Length	7.08 in	Shaft Diameter	1.000 in
Shaft Extension	1.96 in	Assembly/Box Mounting	F3
Outline Drawing	16987000ME	Connection Drawing	005465.01ME

This is an uncontrolled document once printed or downloaded and is subject to change without notice. Date Created:18/06/2020



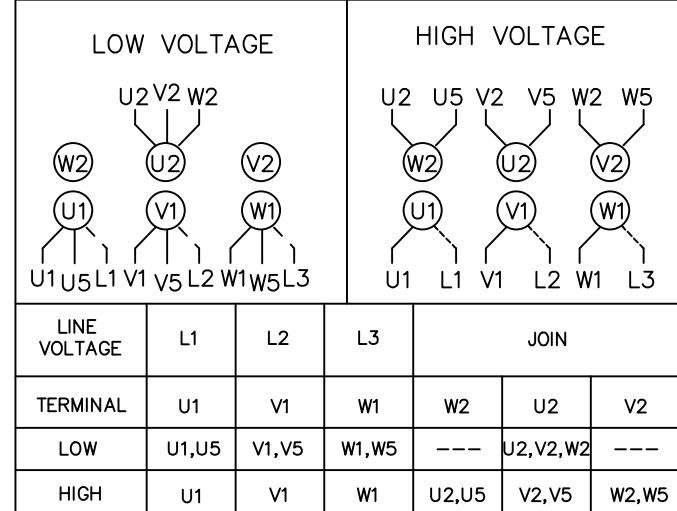
FRAME DESIGN	"B"	"BB"	"CB"
90L	125 \pm 0.7	150	91
90S	100 \pm 0.7	125	79
XXX	XXX	XXX	XXX

		TOLERANCES UNLESS SPECIFIED		MARATHON ELECTRIC		DRAWN JGO 01/28/05	
		DEC.	METRIC			CHK	
		.X	± 2.5			APPD	
		.XX	$\pm .76$	TITLE		SCALE 1=1.6	
		.XXX	$\pm .127$	IEC-90 FRAME RIGID W/B5 FLANGE		REF OSVC-300-567	
		.XXXX	$\pm .0127$	MAT'L ALUMINUM		FMF MARATHON STOCK	
NO.	REVISION	BY & DATE	CHK	ANG	FINISH	PREV	
			RFP		CAD FILE 16987000ME	SIZE B	
THIS DRAWING IN DESIGN AND DETAIL IS OUR PROPERTY AND MUST NOT BE USED EXCEPT IN CONNECTION WITH OUR WORK ALL RIGHTS OF DESIGN AND INVENTION ARE RESERVED THIS IS AN ELECTRONICALLY GENERATED DOCUMENT - DO NOT SCALE THIS PRINT						DRAWING NO.	REV.
						169870-00ME	

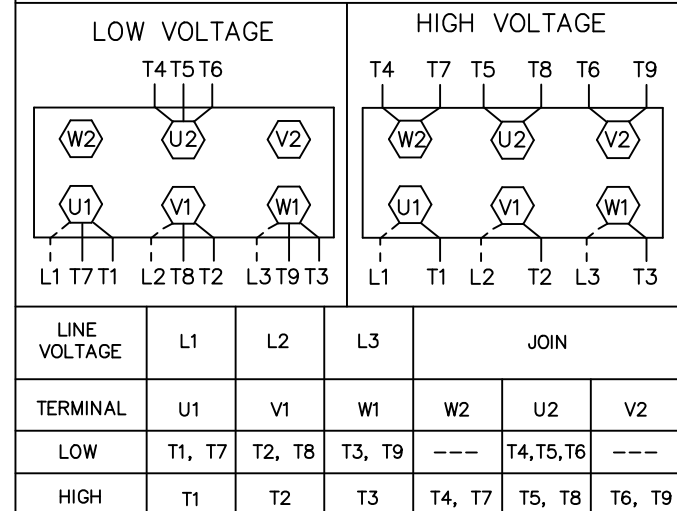


REF. DECAL (IEC) 080644
REF. DECAL (NEMA) 080446

IEC MARKINGS



NEMA MARKINGS



				TOLERANCES UNLESS SPECIFIED			DRAWN JGO 3/10/04
				DEC.	INCHES		CHK SB 02-17-2010
				.X	±.1		APPD MJS 02-17-2010
				.XX	±.01		SCALE 1=1
				.XXX	±.005		REF
				.XXXX	±.0005	MAT'L. IEC/NEMA MARKINGS	FMF
NO.	REVISION	BY & DATE	CHK	ANG	±1/2'	FINISH	PREV
THIS DRAWING IN DESIGN AND DETAIL IS OUR PROPERTY AND MUST NOT BE USED EXCEPT IN CONNECTION WITH OUR WORK ALL RIGHTS OF DESIGN AND INVENTION ARE RESERVED THIS IS AN ELECTRONICALLY GENERATED DOCUMENT - DO NOT SCALE THIS PRINT			RFP	02-17-2010	CAD FILE	00546501ME	SIZE A
			DIST		DRAWING NO. 005465ME-01		REV.



MARATHON ELECTRIC CORPORATION
TYPICAL PERFORMANCE CURVE for AC MOTOR

Customer

Curve at

460 Volts
60 HZ
2 HP

HP 2&2

PHASE 3

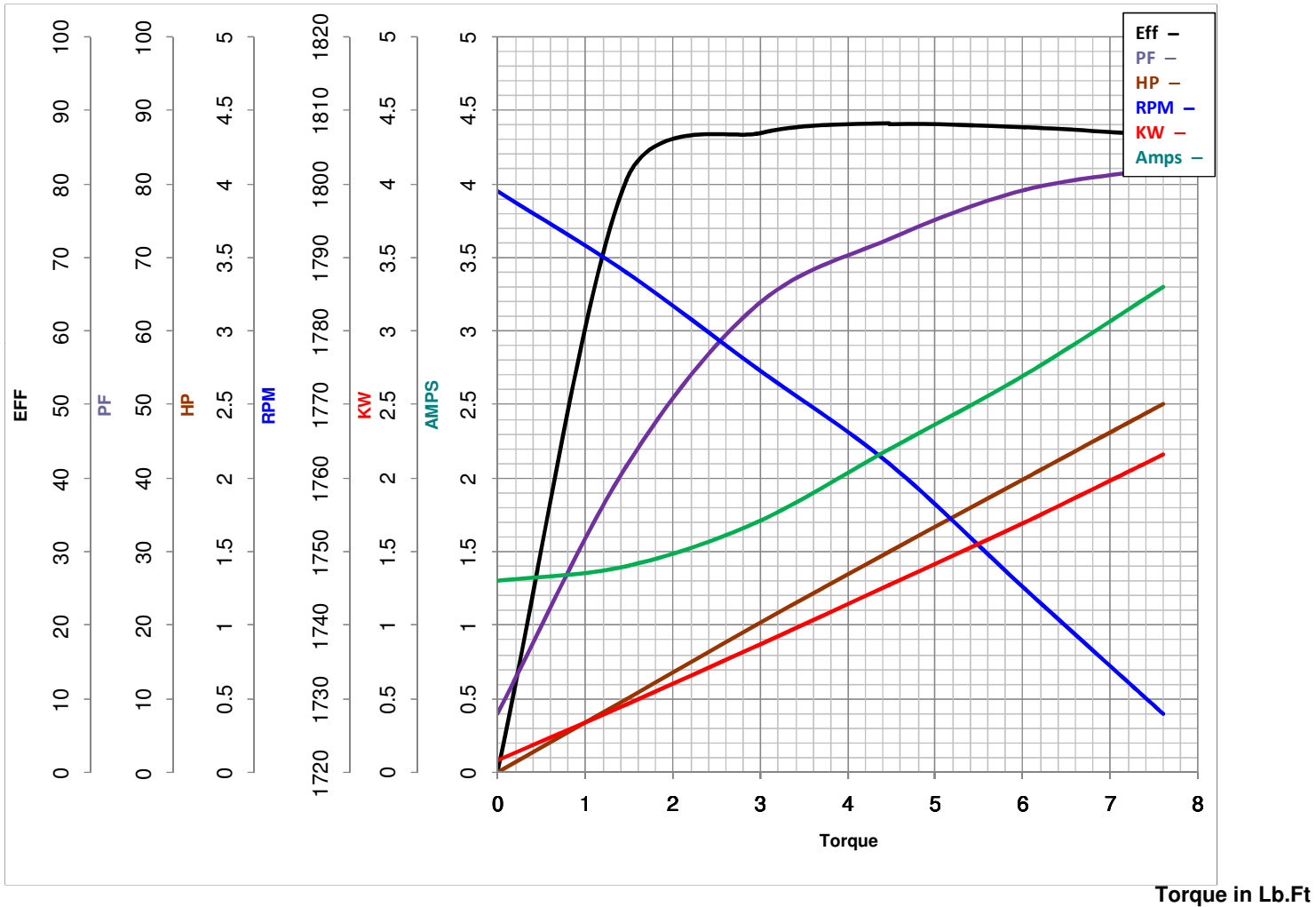
Model No 90LT17FH6519

VOLTS 230/460&200/400

Catalog No R398A

HZ 60&50

RPM 1745&1435



FL TORQUE	<u>6.018</u> Lb.Ft	FL AMPS	<u>5.4/2.7</u>
BD TORQUE	<u>18.1</u> Lb.Ft	PU TORQUE	<u>11.3</u> Lb.Ft
LR TORQUE	<u>14.39</u> Lb.Ft	LR AMPS	<u>18.7</u>
WINDING	QT9047-	Date	